

ALBED

M I L A N O 1 9 6 4

TECHNICAL BOOK
Table

NILE

PRODUCT'S CARD N° T5

Product and legal denomination: TABLE
 Commercial name: NILE

Typology: ALUMINIUM AND WOOD

PRODUCTS' COMPONENTS	USED MATERIALS
METAL PARTS	Table leg, frame rail in profiled aluminium uni 3569. Finishing:brushed anodized UNI 10681 in epoxy powder lacquered.
WOOD PARTS	Melaminic 18 mm
GASKETS AND OTHER ACCESSORIES	Adjustable foot in iron and aluminium.
POSSIBLE HARMFUL SUBSTANCES TO HEALTH	None.
ORDINARY MAINTENANCE	Clean with a soft cloth, slightly dampened and free from products containing solvent and/or abrsive material.
WARNINGS	The assembly must be made only by expert people.

These cards of certification of the product comply with all what the law n.206 del 06.09.2005 prescribes.

DELMONTE S.R.L IS CERTIFIED WITH THE MANAGEMENT SYSTEM FOR THE QUALITY ACCORDING TO UNI EN ISO 9001:2000, FOR THE ACTIVITY OF PLANNING AND PRODUCTION OF DOORS FOR INTERIORS, FURNISHINGS AND COMPLEMENTS FURNITURE IN ALUMINIUM.



TABLE FRAME

RAL lacquered

White



TABLE TOP

Woods:

Frassino light brown

Frassino lounge brown

Frassino Carbone

Frassino Smoky Grey

Wengé

Noce Canaletto



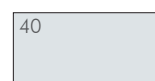
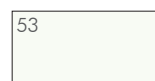
Glasses:

Neve acidato

Bianco neve extrachiaro

Specchio

Specchio Bronzo



CAT.D

CAT.D

CAT.B

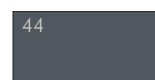
CAT.C

Tortora

Sughero

Ardesia

Nero



CAT.C

CAT.C

CAT.C

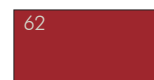
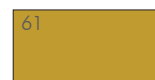
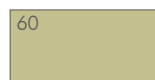
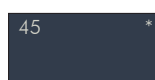
CAT.C

Blu notte

Canapa

Senape

Rosso fuoco



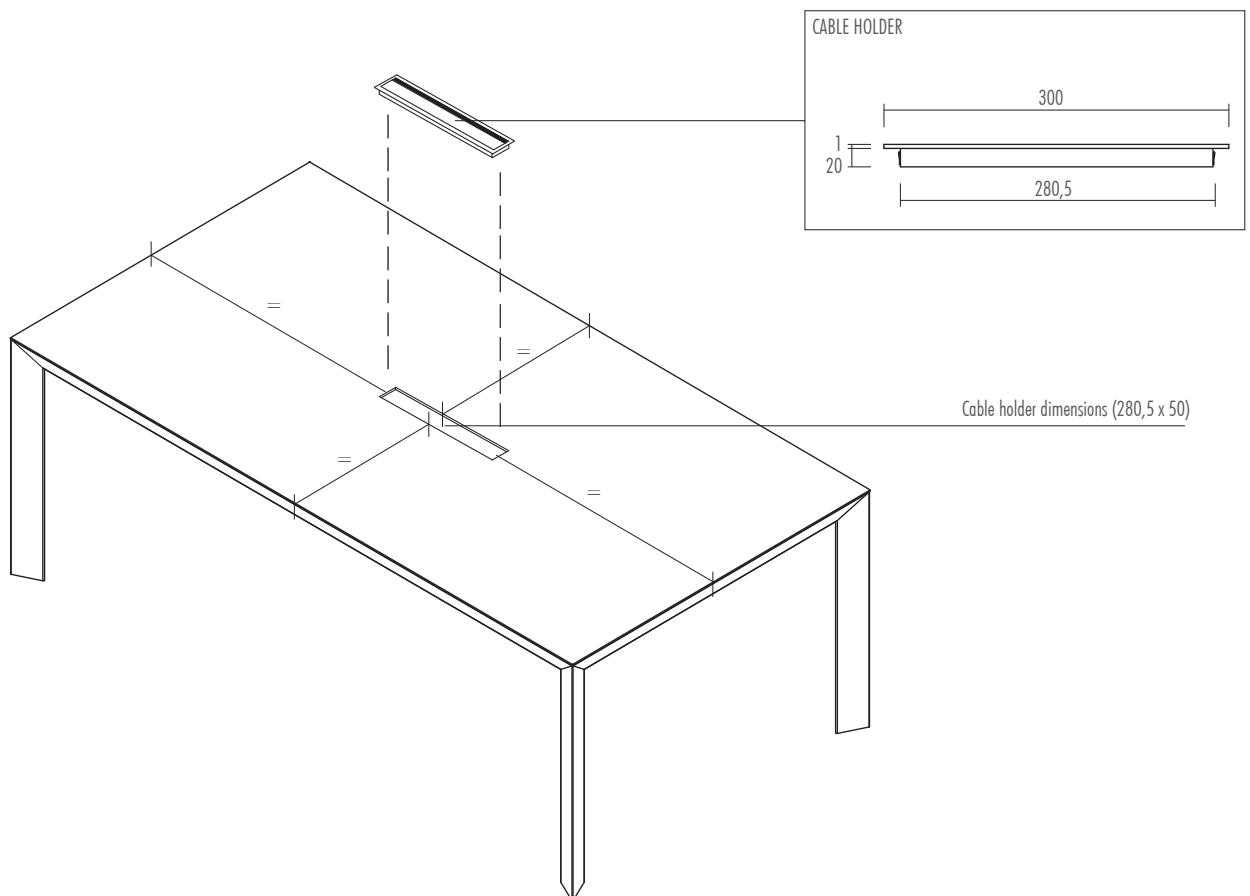
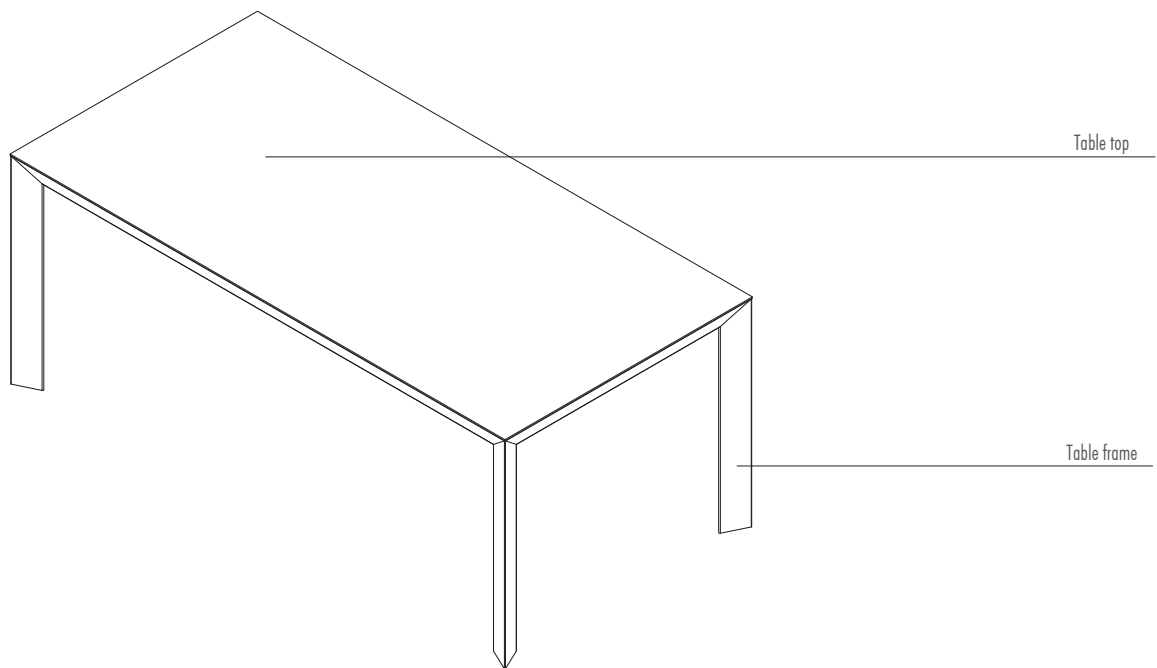
CAT.C

CAT.D

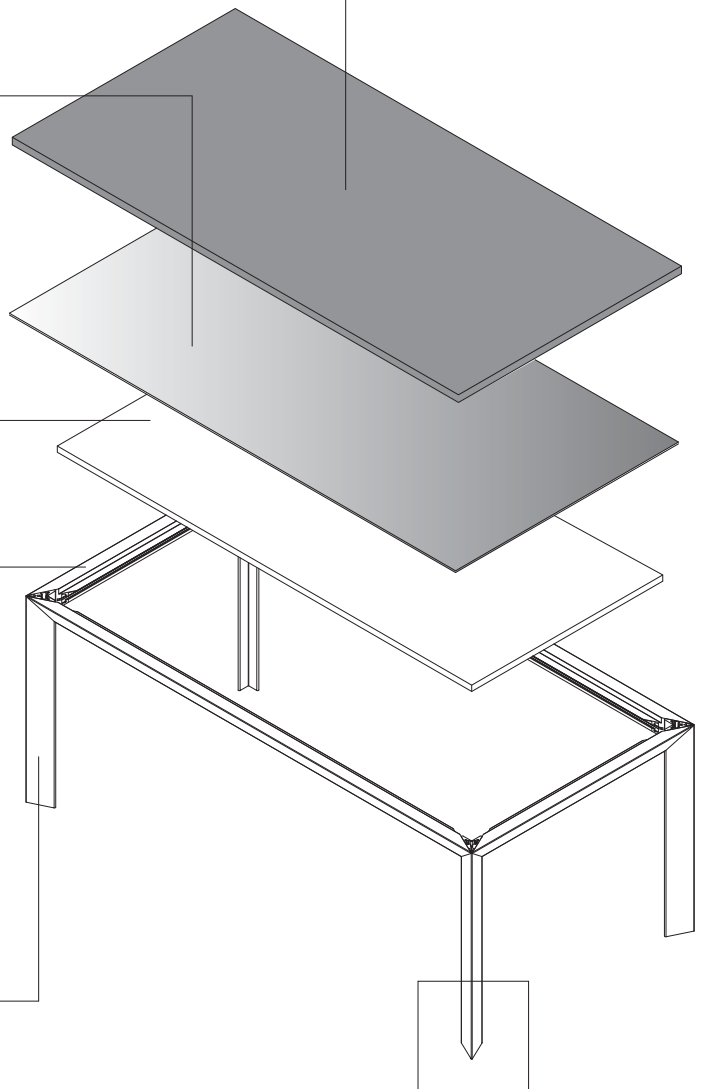
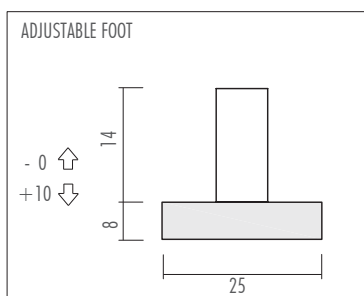
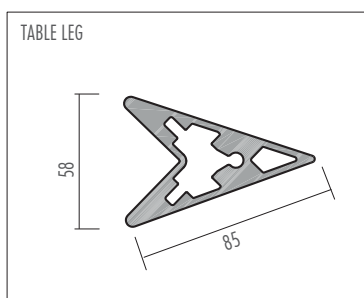
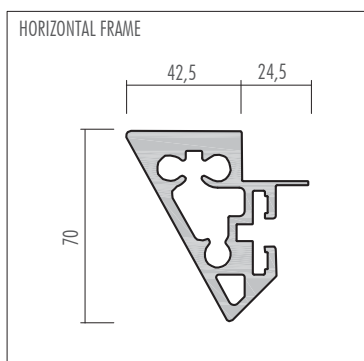
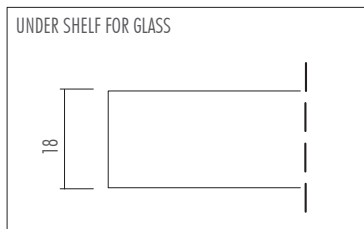
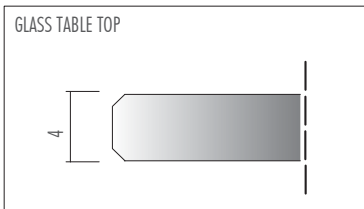
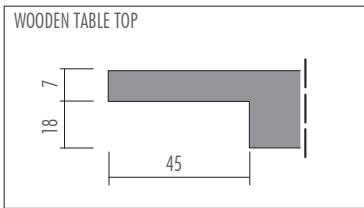
CAT.D

CAT.D

TABLE

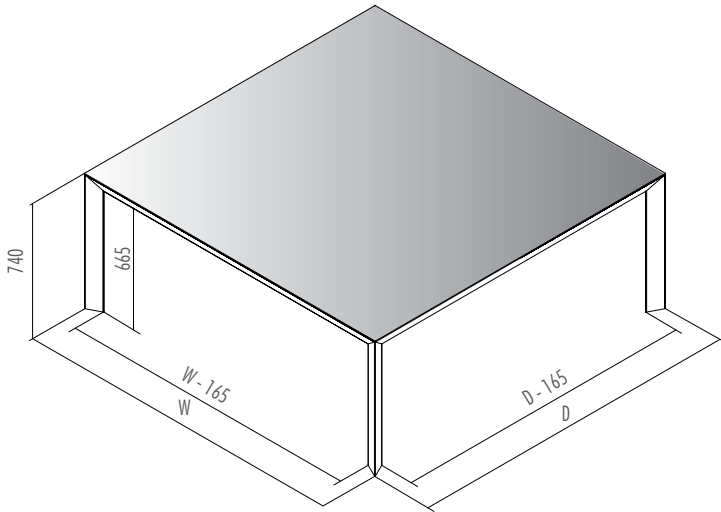


GENERAL CHARACTERISTICS



TABLE

SQUARE TABLE



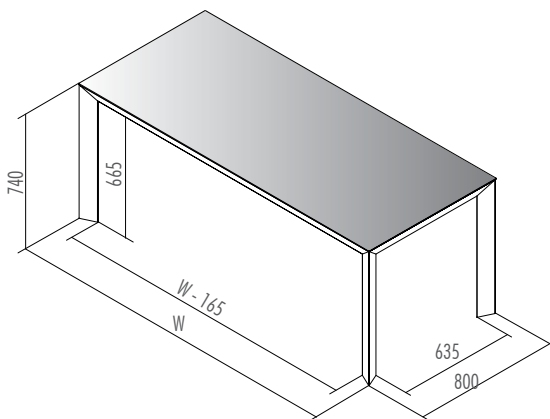
Standard table

W	D
1200	1200
1500	1500
1800	1800

Customized table

W	D
1201-1499	1201-1499
1501-1799	1501-1799

RECTANGULAR TABLE D 800



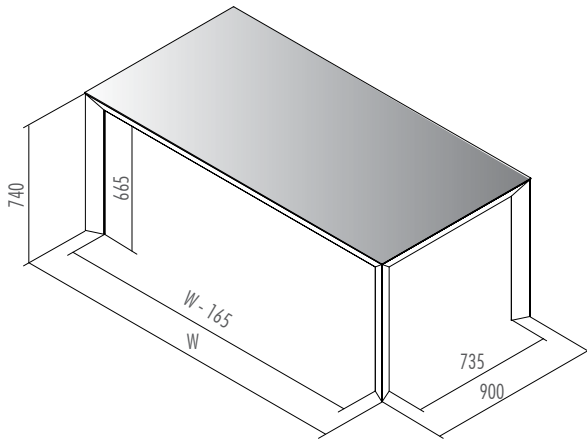
Standard table

W	D
1200	800
1500	800
1800	800
2000	800
3000	800

Customized table

W	D
1201-1499	800
1501-1499	800
1801-1999	800
2001-2999	800

RECTANGULAR TABLE D 900



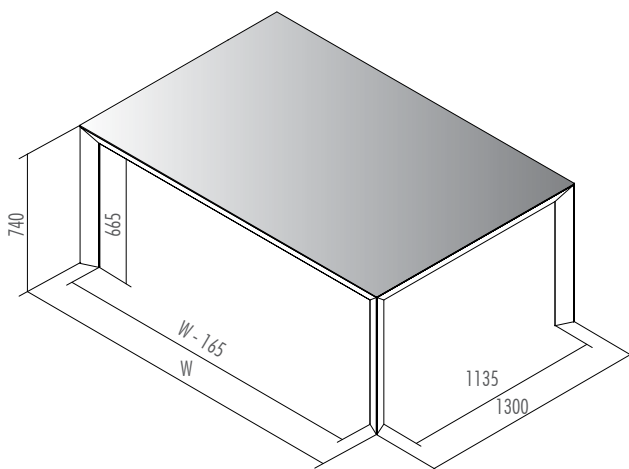
Standard table

W	D
1200	900
1500	900
1800	900
2000	900
3000	900

Customized table

W	D
1201-1499	900
1501-1499	900
1801-1999	900
2001-2999	900

RECTANGULAR TABLE D 1300



Standard table

W	D
1800	1300
2000	1300
3000	1300

Customized table

W	D
1801-1999	900
2001-2999	900